

SRT Transmission Device



TR-5004

NEW

Equipped with AVC/HEVC hardware codecs to facilitate stable transmission.

This device also supports playback, RETURN, TALLY, INTERCOM, and camera control signals for communication, allowing it to be used with existing system cameras.



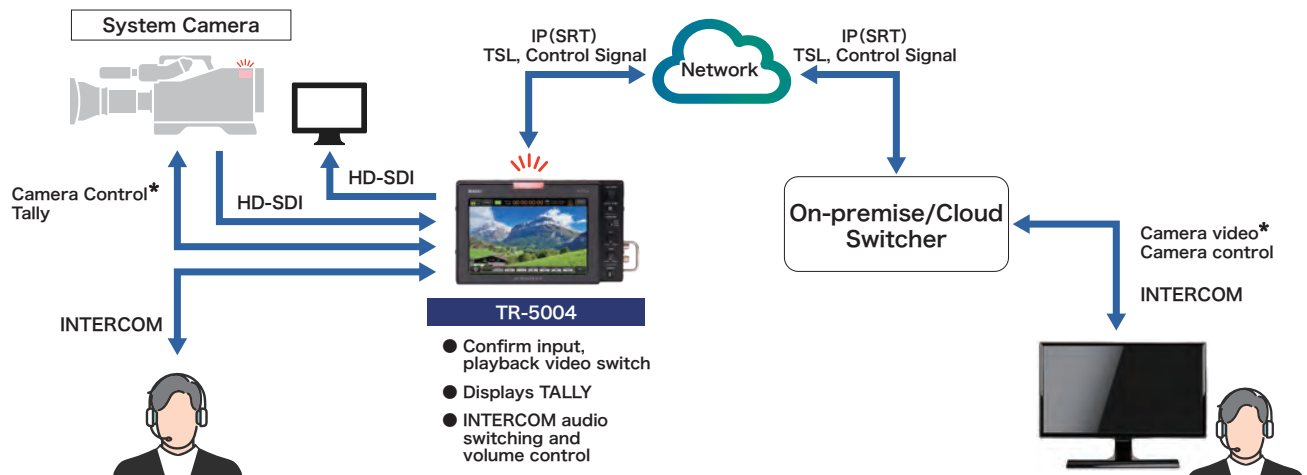
Features

- 3G/HD-SDI signal encode/decode, transmission with SRT protocol
- Supports H.264, MPEG-4 AVC, H.265, MPEG-H HEVC codecs
- Transmission support for send back, TALLY, INTERCOM, and camera control signal communication
- Display switch between HD-SDI input signal and received IP stream signal (RETURN)
- Connects via USB/WLAN, Wi-Fi also available
- Supports power supply from system camera and battery mount
- 1920x1200 7-inch LCD screen to view dot-by-dot video

Front View / Side View

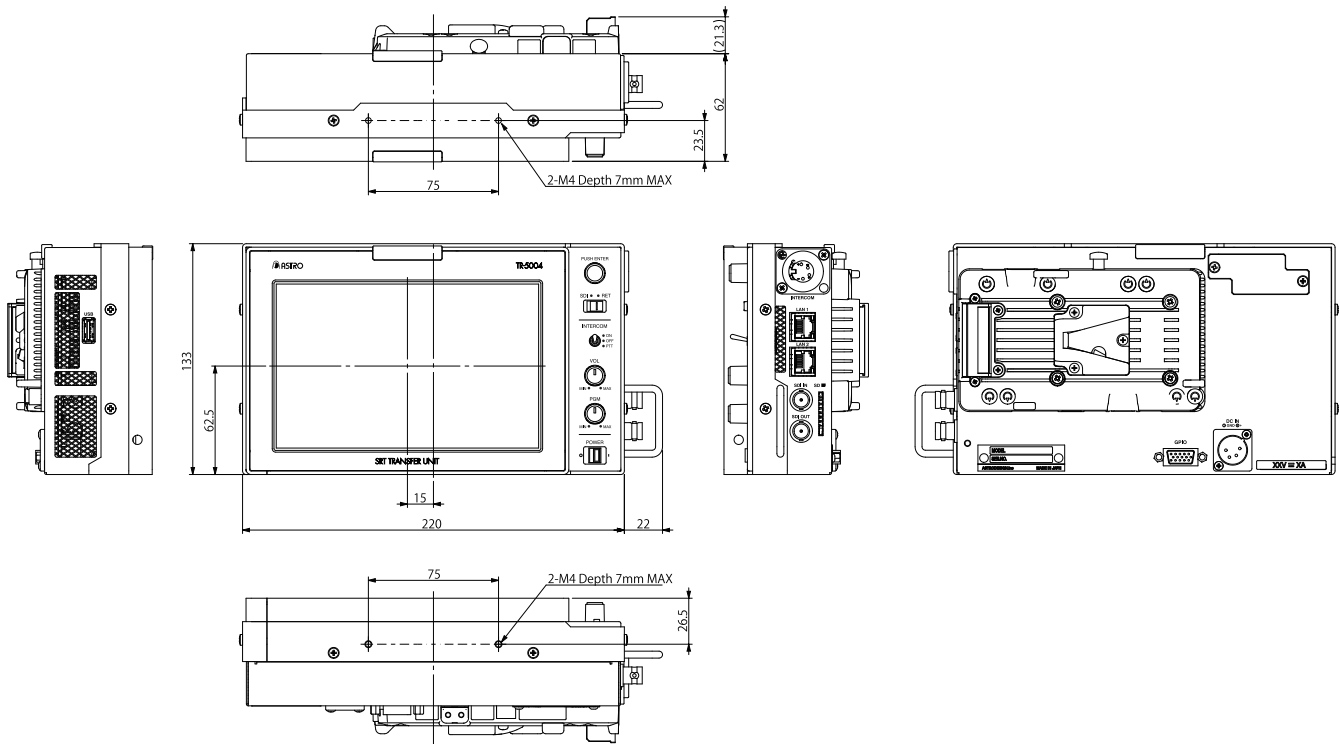


Connection Example



*Camera control requires a camera control network adapter

Outline Diagram



(Unit: mm)

Specifications

Item	Description	
IP Interface	1000Base-T Ethernet: 2 lines	
Transmission Protocol	SRT	
Video	Interface	3G/HD-SDI Input : 1 line 3G/HD-SDI Output : 1 line
	Format	1920×1080 60p/59.94p/50p/30p/29.97p/25p/24p/23.98p YC _B C _R 4:2:2 10bit LevelA 60i/59.94i/50i/24PsF/23.98PsF YC _B C _R 4:2:2 10bit
	Codec	H.265 HVEC 4:2:2/4:2:0 10bit H.264 MPEG-4 AVC 4:2:2 10bit /4:2:0 8bit BitRate : 512Kbps-95Mbps CBR、VBR
Audio	Interface	XLR-4pin male connector ①MIC COLD ②MIC HOT ③GND ④Headphone
	Format	48kHz 24bit Max6ch SDI Embedded: 4ch, INTERCOM: 2ch
	Codec	AAC-LC
GPIO	D-sub 15pin male connector	
Tally	TSL UMD protocol V5.0 Tally	
USB3.0	TypeA connector	
LCD	Screen Size	7.0 inch
	Luminance	300cd/m ² (typ)
	Resolution	1920×1200 Pixels
	Contrast Comparison	1100:1

General Specifications

Power Source	DC10.5-17V
Power Consumption	20W MAX
Operating Temperature	0~40°C (without condensation)
Operating Humidity	20~80%RH (without condensation)
Dimensions	220(W)×133(H)×62(D) mm (excluding protrusions)
Weight	1.15kg