

# SRT Transmission Device



## TR-5004

NEW

Equipped with AVC/HEVC hardware codecs to facilitate stable transmission.

This device also supports playback, RETURN, TALLY, INTERCOM, and camera control signals for communication, allowing it to be used with existing system cameras.



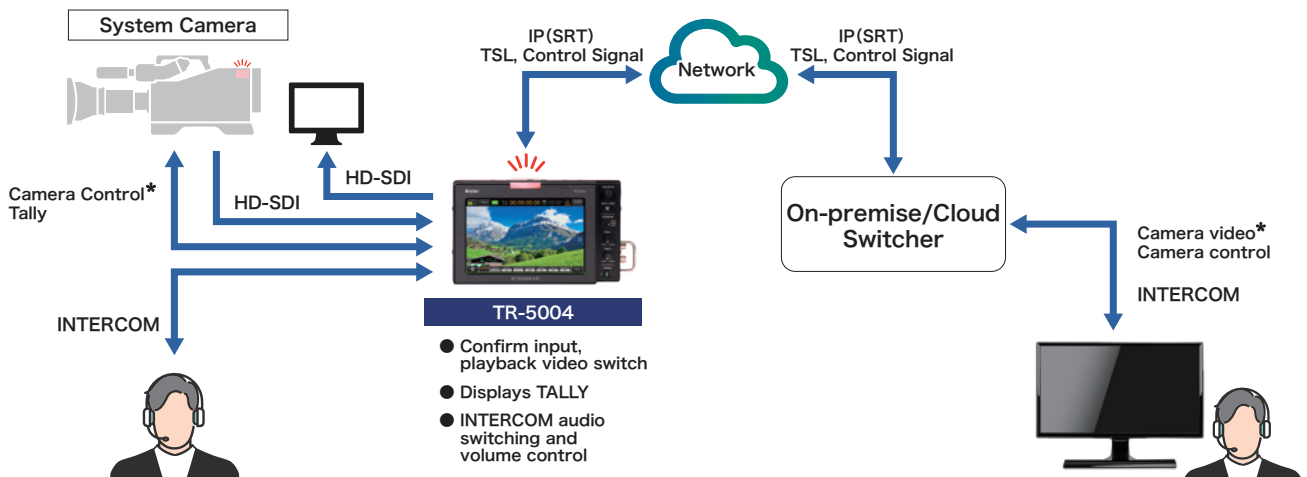
### Features

- 3G/HD-SDI signal encode/decode, transmission with SRT protocol
- Supports H.264, MPEG-4 AVC, H.265, MPEG-H HEVC codecs
- Transmission support for send back, TALLY, INTERCOM, and camera control signal communication
- Display switch between HD-SDI input signal and received IP stream signal (RETURN)
- Connects via USB/WLAN, Wi-Fi also available
- Supports power supply from system camera and battery mount
- 1920x1200 7-inch LCD screen to view dot-by-dot video

### Front View / Side View

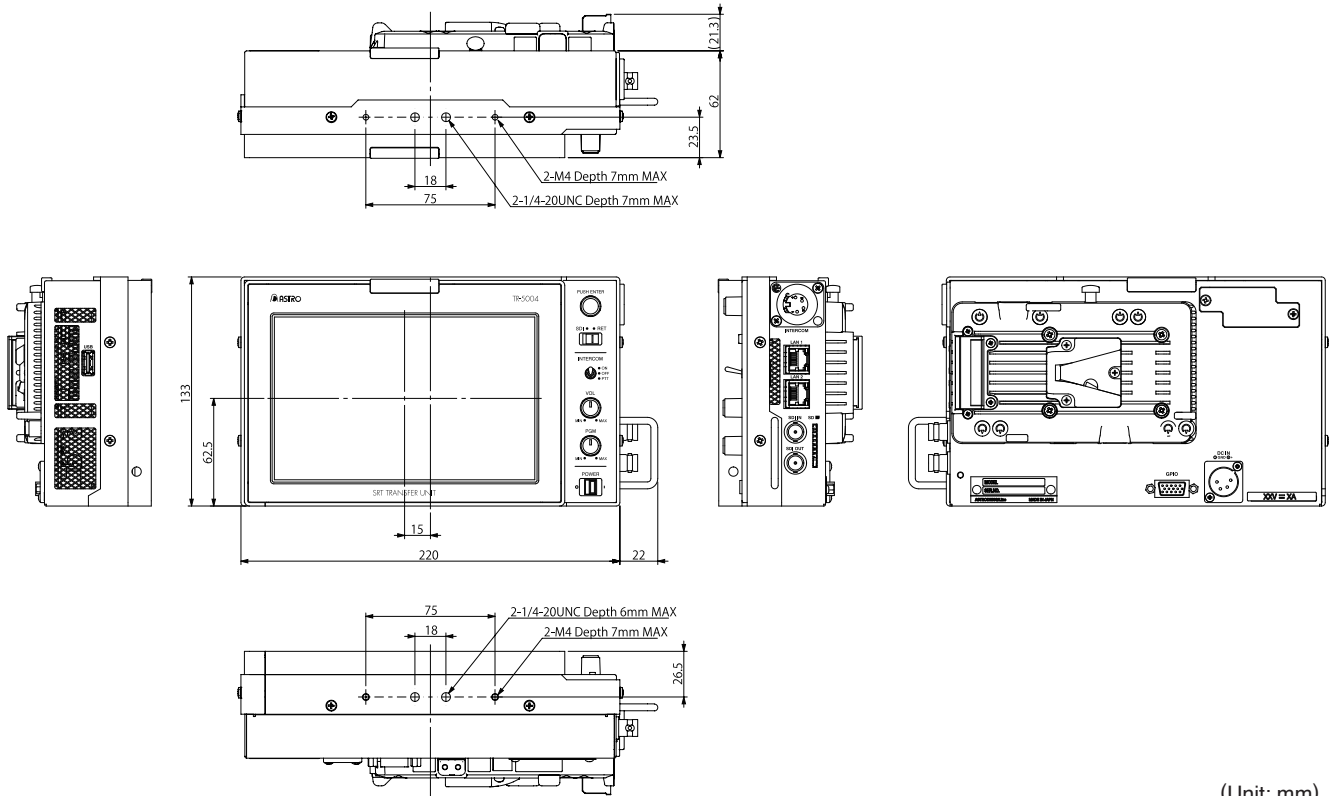


### Connection Example



\*Camera control requires a camera control network adapter

## Outline Diagram



(Unit: mm)

## Specifications

Item	Description	
IP Interface	1000Base-T Ethernet: 2 lines	
Transmission Protocol	SRT	
Video	Interface	3G/HD-SDI Input : 1 line 3G/HD-SDI Output : 1 line
	Format	1920×1080 60p/59.94p/50p/30p/29.97p/25p/24p/23.98p YC <sub>B</sub> C <sub>R</sub> 4:2:2 10bit LevelA 60i/59.94i/50i/24PsF/23.98PsF YC <sub>B</sub> C <sub>R</sub> 4:2:2 10bit
	Codec	H.265   HVEC 4:2:2/4:2:0 10bit H.264   MPEG-4 AVC 4:2:2 10bit /4:2:0 8bit BitRate : 512Kbps-95Mbps CBR、VBR
Audio	Interface	XLR-4pin male connector ①MIC COLD ②MIC HOT ③GND ④Headphone
	Format	48kHz 24bit Max6ch SDI Embedded: 4ch, INTERCOM: 2ch
	Codec	AAC-LC
GPIO	D-sub 15pin male connector	
Tally	TSL UMD protocol V5.0 Tally	
USB3.0	TypeA connector	
LCD	Screen Size	7.0 inch
	Luminance	300cd/m <sup>2</sup> (typ)
	Resolution	1920×1200 Pixels
	Contrast Comparison	1100:1

### General Specifications

Power Source	DC10.5-17V
Power Consumption	20W MAX
Operating Temperature	0~40°C (without condensation)
Operating Humidity	20~80%RH (without condensation)
Dimensions	220(W)×133(H)×62(D) mm (excluding protrusions)
Weight	1.15kg

**ASTRODESIGN, Inc.**

Contact to:  
**TOKYO Headquarters** 1-5-2 Minami-yukigaya, Ota-ku, Tokyo, Japan 145-0066  
**USA OFFICE** 780 Montague Expressway, Suite 302, San Jose CA 95131 USA  
 URL <http://www.astro-americas.com>

\* The specifications are subjected to change without notice.

TEL +81-(0)3-5734-6320 FAX +81-(0)3-5734-6102  
 TEL +1-408-435-7800 FAX +1-408-435-7900

TR-5004-4803E-1

<https://www.astrodesign.co.jp>