

Interface Adapter

IA-1567



COVAN

COVAN series products



IA-1567 is an interface adapter that can mutually convert between HDMI 2.1 and 12G/6G-SDI signals that support 8K and 4K.

It can be used to connect SDI devices to 8K TVs or 4K 120Hz monitors, or to connect game consoles or GPUs to SDI devices.

Main Functions

- Mutual conversion between HDMI 2.1 and 12G/6G-SDI
- Supports various formats
 - 7680×4320 (2SI) 60p/59.94p/50p/30p/29.97p/25p/24p/23.98p
 - 7680×4320 (SQD) 60p/59.94p/50p
 - 4096×2160 (2SI) 60p/59.94p/50p/48p/47.95p
 - 3840×2160 (2SI) 120p/119p/100p/60p/59.94p/50p/48p/47.95p
 - 3840×2160 (O/E) 120p/119p/100p (60p/59.94p/50p×2)
- Small and lightweight
- 3D LUT function

Connection Example

12G-SDI to HDMI 2.1 (8K 60p)

8K Recorder (HR-7520) → 8KTV



12G-SDI to HDMI 2.1 (4K 120p)

4K Recorder (IR-7523) → 4K 120Hz Monitor



HDMI 2.1 to 12G-SDI (8K 60p)

8K Multi-platform (AW-8803) → 8K Projector (INSIGHT Laser 8K Imaging by ASTRO)

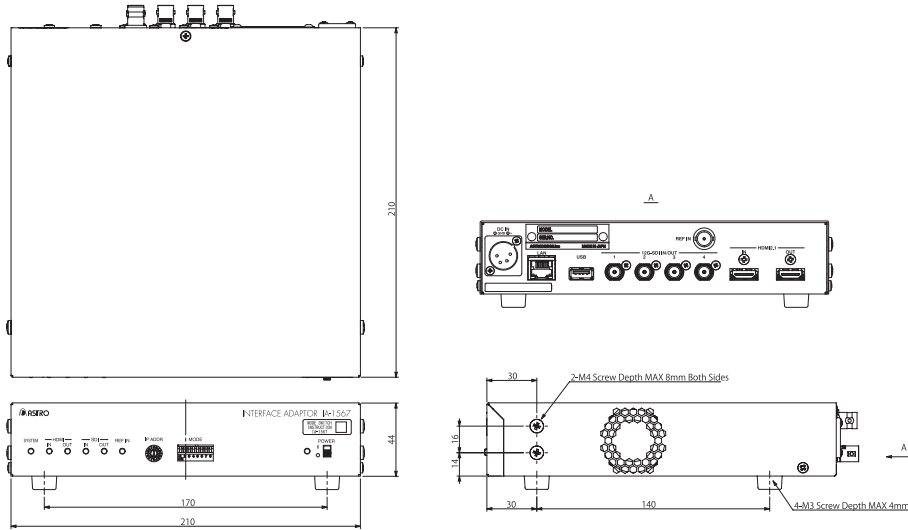


HDMI 2.1 to 12G-SDI (4K 120p)

Game console, GPU → 4K 120Hz Recorder (IR-7523)



Dimensions



Specifications

SDI Input Output

Format	Link	Resolution	Frame Rate	Sampling Structure/ Pixel Depth	Interface			Related standards
8K	Quad	7680 × 4320	60p/59.94p/50p	Y _C B _B C _R 4:2:2 10bit	12G-SDI	Type1	2SI	SMPTE ST 2082-1/12
	Quad(SQD)	7680 × 4320	60p/59.94p/50p	Y _C B _B C _R 4:2:2 10bit	12G-SDI	Type1	4K(2SI) × 4	SMPTE ST 2082-1/10
	Quad	7680 × 4320	30p/29.97p/25p/24p/23.98p	Y _C B _B C _R 4:2:2 10bit	6G-SDI	Type1	2SI	SMPTE ST 2081-1/12
	Dual	7680 × 4320	30p/29.97p/25p/24p/23.98p	Y _C B _B C _R 4:2:2 10bit	12G-SDI	Type1	2SI	SMPTE ST 2082-1/11
4K	Quad	3840 × 2160	120p/119.88p/100p	Y _C B _B C _R 4:2:2 10bit	6G-SDI	Type1	2SI	SMPTE ST 2081-1/12
	Dual	3840 × 2160	120p/119.88p/100p	Y _C B _B C _R 4:2:2 10bit	12G-SDI	Type1	2SI	SMPTE ST 2082-1/11
	(Odd/Even)	3840 × 2160	120p/119.88p/100p	Y _C B _B C _R 4:2:2 10bit	12G-SDI	Type1	2SI × 2	SMPTE ST 2082-1/10
	Single	4096 × 2160	60p/59.94p/50p/48p/47.95p	Y _C B _B C _R 4:2:2 10bit	12G-SDI	Type1	2SI	SMPTE ST 2082-1/10
	Single	3840 × 2160	60p/59.94p/50p/48p/47.95p	Y _C B _B C _R 4:2:2 10bit	12G-SDI	Type1	2SI	SMPTE ST 2082-1/10

HDMI 2.1 Input Output

Format	Resolution	Frame Rate	Sampling Structure/ Pixel Depth	FRL Rate ✓ : Supported					TMDS	Remarks
				10G/4L	8G/4L	6G/4L	6G/3L	3G/3L		
8K	7680 × 4320	60p/59.94p/50p	Y _C B _B C _R 4:2:0 10bit	✓						HDCP: Not supported DSC: Not supported Related standards: CTA-861-G
		60p/59.94p/50p	Y _C B _B C _R 4:2:0 8bit	✓	✓					
		30p/29.97p/25p/24p/23.98p	RGB 4:4:4 10bit	✓						
		30p/29.97p/25p/24p/23.98p	RGB 4:4:4 8bit	✓	✓					
		30p/29.97p/25p/24p/23.98p	Y _C B _B C _R 4:4:4 10bit	✓						
		30p/29.97p/25p/24p/23.98p	Y _C B _B C _R 4:4:4 8bit	✓	✓					
		30p/29.97p/25p/24p/23.98p	Y _C B _B C _R 4:2:2 10bit	✓						
		30p/29.97p/25p/24p/23.98p	Y _C B _B C _R 4:2:2 8bit	✓	✓					
		30p/29.97p/25p/24p/23.98p	Y _C B _B C _R 4:2:0 10bit	✓	✓	✓				
		30p/29.97p/25p/24p/23.98p	Y _C B _B C _R 4:2:0 8bit	✓	✓	✓	✓			
4K	3840 × 2160	120p/119.88p/100p	RGB 4:4:4 10bit	✓	✓					
		120p/119.88p/100p	RGB 4:4:4 8bit	✓	✓					
		120p/119.88p/100p	Y _C B _B C _R 4:4:4 10bit	✓	✓					
		120p/119.88p/100p	Y _C B _B C _R 4:4:4 8bit	✓	✓					
		120p/119.88p/100p	Y _C B _B C _R 4:2:2 10bit	✓						
		120p/119.88p/100p	Y _C B _B C _R 4:2:2 8bit	✓	✓					
	4096 × 2160 3840 × 2160	120p/119.88p/100p	Y _C B _B C _R 4:2:0 10bit	✓	✓	✓				
		120p/119.88p/100p	Y _C B _B C _R 4:2:0 8bit	✓	✓	✓	✓			
		60p/59.94p/50p/48p/47.95p	RGB 4:4:4 10bit	✓	✓	✓	✓		✓	
		60p/59.94p/50p/48p/47.95p	RGB 4:4:4 8bit	✓	✓	✓	✓		✓	
	60p/59.94p/50p/48p/47.95p	Y _C B _B C _R 4:4:4 10bit	✓	✓	✓	✓		✓		
	60p/59.94p/50p/48p/47.95p	Y _C B _B C _R 4:4:4 8bit	✓	✓	✓	✓		✓		
	60p/59.94p/50p/48p/47.95p	Y _C B _B C _R 4:2:2 10bit	✓	✓	✓	✓		✓		
	60p/59.94p/50p/48p/47.95p	Y _C B _B C _R 4:2:2 8bit	✓	✓	✓	✓		✓		
	60p/59.94p/50p/48p/47.95p	Y _C B _B C _R 4:2:0 10bit	✓	✓	✓	✓		✓		
	60p/59.94p/50p/48p/47.95p	Y _C B _B C _R 4:2:0 8bit	✓	✓	✓	✓	✓	✓		

Audio Performance

Sampling Frequency	48kHz
Quantization	24bits
Number of Audio Channels	Max 32ch (HDMI: Up to 8ch)

Reference Input

Format	Black burst input (Compliant with EIA RS-170A) Tri-level sync input (Compliant with SMPTE 240M/274M/296M)
--------	---

General

Power Requirements	DC 12V	Operating Humidity Range	20 - 80%RH (No Condensation)
Power Consumption	50W MAX	Dimensions	210(W) × 44(H) × 210(D)mm (Excluding Protrusions)
Operating Temperature Range	+5 to 40°C	Weight	Approx. 2.0kg

Contact to:

TOKYO Headquarters 1-5-2 Minami-yukigaya, Ota-ku, Tokyo, Japan 145-0066
USA OFFICE 780 Montague Expressway, Suite 302, San Jose CA 95131 USA
 URL <http://www.astro-americas.com>

* The specifications are subjected to change without notice.

TEL +81-(0)3-5734-6320 FAX +81-(0)3-5734-6102
TEL +1-408-435-7800 FAX +1-408-435-7900

ASTRODESIGN, Inc.

IA1567-4905E-3

<https://www.astrodesign.co.jp>