

# Interface Adapter

## IA-1566

NEW

### COVAN

COVAN series products



IA-1566 is an interface adapter that can mutually convert between HDMI 2.1 and 12G/6G-SDI signals that support 8K and 4K.

It can be used to connect SDI devices to 8K TVs or 4K 120Hz monitors, or to connect a game consoles or GPUs to SDI devices.

### Main Function

- Mutual conversion between HDMI 2.1 and 12G/6G-SDI
- Supports various formats  
7680 × 4320 60p/59.94p/50p/30p/29.97p/25p/24p/23.98p  
3840 × 2160 120p/119.88p/100p
- Small and lightweight

Additional formats will be supported.

### Connection

#### 12G-SDI to HDMI 2.1 (8K 60p)

8K Recorder (HR-7518) → 8KTV



#### 12G-SDI to HDMI 2.1 (4K 120p)

4K Recorder (IR-7523) → 4K 120Hz Monitor



#### HDMI 2.1 to 12G-SDI (8K 60p)

8K Player → 8K Projector (INSIGHT Laser 8K Imaging by ASTRO)

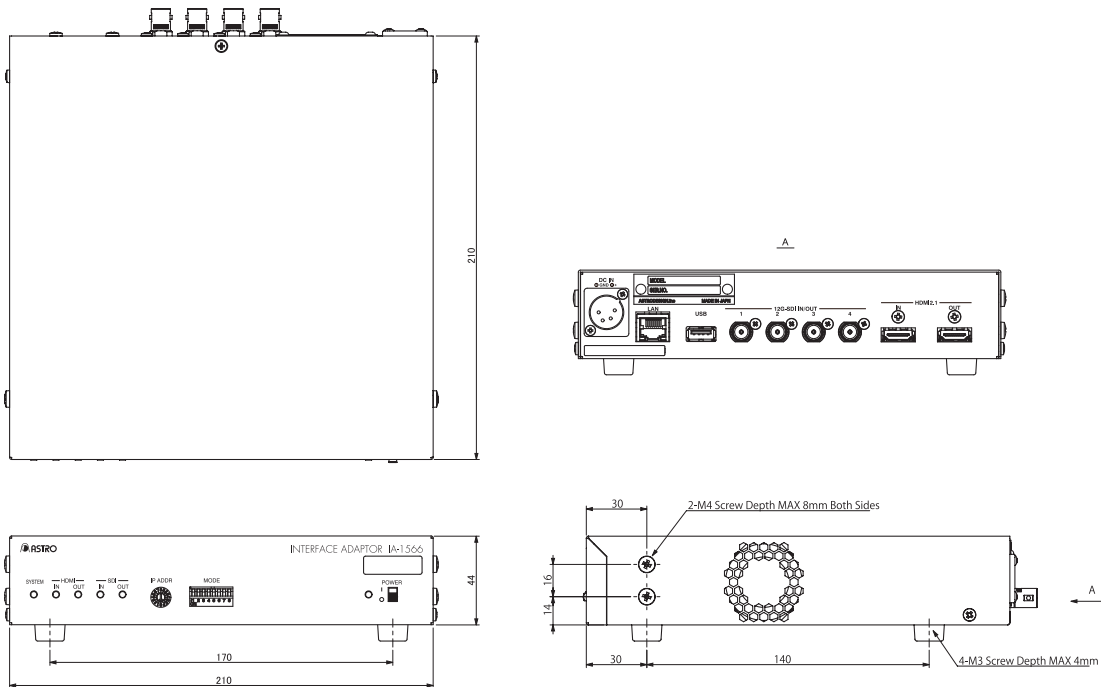


#### HDMI 2.1 to 12G-SDI (4K 120p)

Game console, GPU → 4K 120Hz Recorder (IR-7523)



## Dimensions



## Specifications

SDI Input Output						
Format	Link	Resolution	Frame Rate	Sampling Structure/ Pixel Depth	Interface	Related standards
8K	Quad	7680 × 4320	50p/59.94p/60p	YCbCr 4:2:2 10bit	12G-SDI Type 1 2SI	SMPTE ST 2082-1/12
	Dual	7680 × 4320	30p/29.97p/25p/24p/23.98p	YCbCr 4:2:2 10bit	12G-SDI Type 1 2SI	SMPTE ST 2082-1/11
	Quad	7680 × 4320	30p/29.97p/25p/24p/23.98p	YCbCr 4:2:2 10bit	6G-SDI Type 1 2SI	SMPTE ST 2081-1/12
4K	Dual	3840 × 2160	120p/119.88p/100p	YCbCr 4:2:2 10bit	12G-SDI Type 1 2SI	SMPTE ST 2082-1/11
HDMI 2.1 Input Output						
Format	Link	Resolution	Frame Rate	Sampling Structure/ Pixel Depth	Remarks	Standards
8K	Single	7680 × 4320	50p/59.94p/60p	YCbCr 4:2:0 8/10bit	FRL: 10Gbps/4Lane 8Gbps/4Lane 6Gbps/4Lane HDCP: Not supported DSC: Not supported	CTA-861-G
	Single	7680 × 4320	30p/29.97p/25p/24p/23.98p	RGB 4:4:4 8/10bit		
	Single	7680 × 4320	30p/29.97p/25p/24p/23.98p	YCbCr 4:4:4 8/10bit		
	Single	7680 × 4320	30p/29.97p/25p/24p/23.98p	YCbCr 4:2:2 8/10bit		
4K	Single	3840 × 2160	120p/119.88p/100p	RGB 4:4:4 8/10bit	HDCP: Not supported DSC: Not supported	CTA-861-G
	Single	3840 × 2160	120p/119.88p/100p	YCbCr 4:4:4 8/10bit		
	Single	3840 × 2160	120p/119.88p/100p	YCbCr 4:2:2 8/10bit		
Audio Performance						
Sampling Frequency			48kHz			
Quantization			24bits			
Number of Audio Channels			Max 8ch			
General						
Power Requirements			DC 12V			
Power Consumption			30W MAX			
Operating Temperature Range			0 to 40°C			
Operating Humidity Range			20 - 80%RH (No Condensation)			
Dimensions			210(W) × 44(H) × 210(D)mm (Excluding Protrusions)			
Weight			2.0kg			