

8K8K Multi Purpose Camera

AB-4838/AC-4837

NEW



 MOUNT

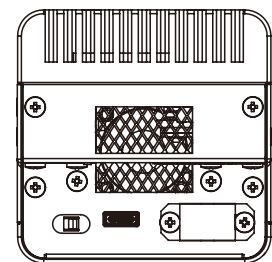
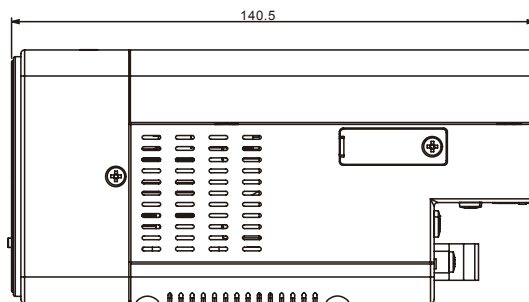
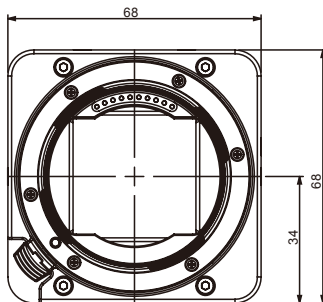
Main Function

- 8192 × 8192 pixels image sensor equipped with a professional grade video camera
- Suitable for VR applications
- For shooting videos of 8K4K 120p/8K2K 240p
- L-Mount type lens mount

Specification

AB-4838

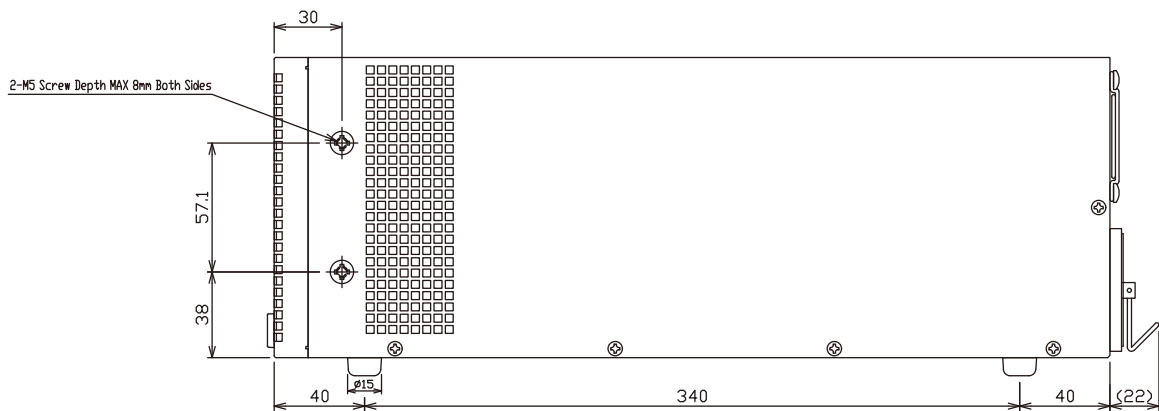
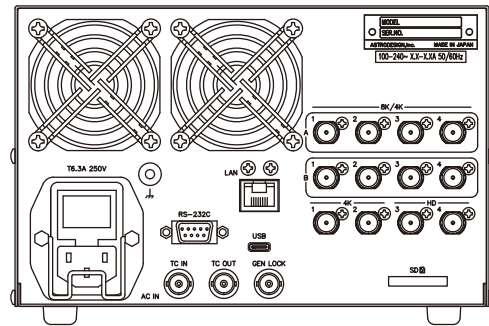
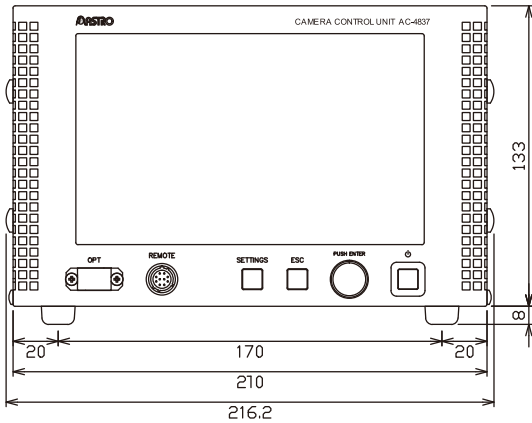
Item	Specification
Power Requirements	DC+15V
Power Consumption	15W (TBD)
Dimensions	68 (W) × 68 (H) × 140.5 (D) mm (Excluding Protrusions)
Weight	600g (TBD)
Image Sensor	APS-C equivalent single CMOS image sensor 20.480mm × 20.480mm
Active Resolution	About 6700 million pixels
ADC Bit Depth	10-bit
Lens Mount	L-Mount



Specification

AC-4837

Item	Specification
Power Requirements	AC100-240V
Power Consumption	95W (TBD)
Dimensions	210 (W) × 133 (H) × 370 (D) mm (3U half-rack mount size/Excluding Protrusions)
Weight	3.8kg (TBD)



8K8K Ecosystem

